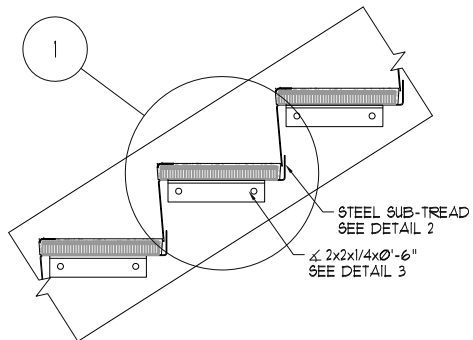
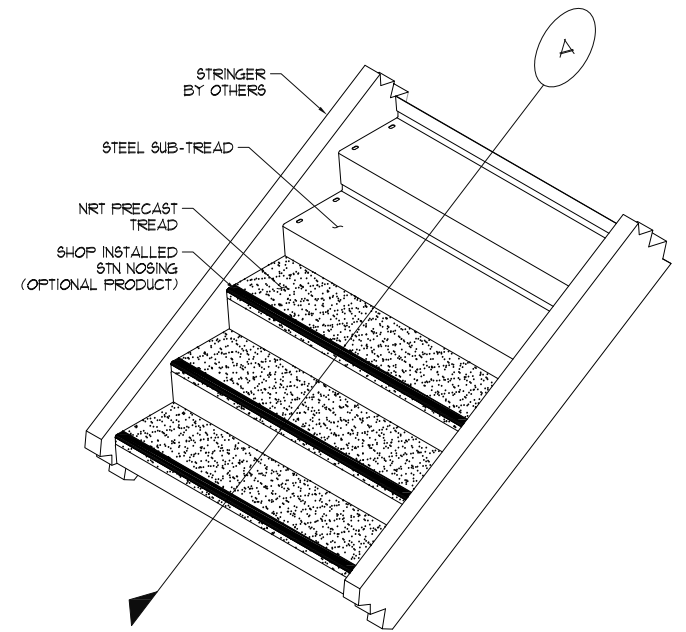
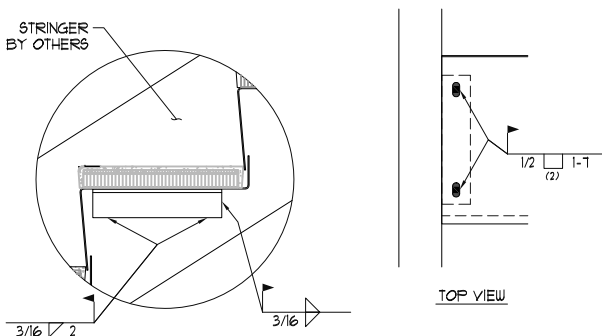


# PRE-ENGINEERED STAIR DESIGNS FOR NATIONAL REDI-TREAD. 4'-0" MAXIMUM SPAN BETWEEN STRINGERS.



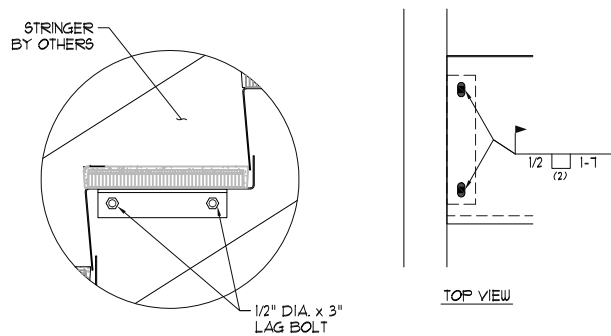
SECTION

A



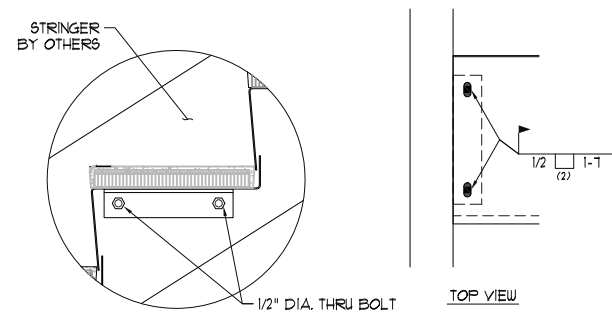
STRINGER CONNECTION  
STEEL STRINGER

1a



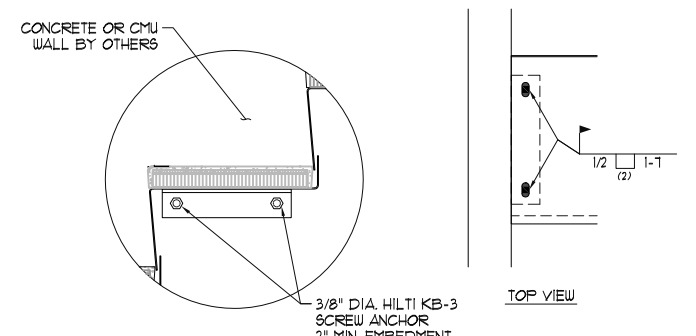
STRINGER CONNECTION  
WOOD STRINGER

1b



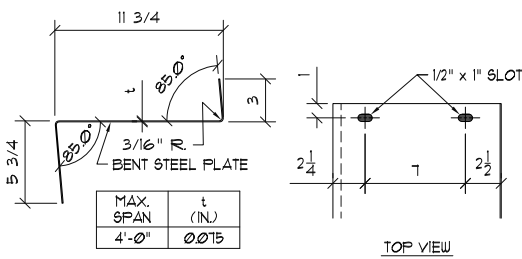
STRINGER CONNECTION  
STEEL STRINGER

1c



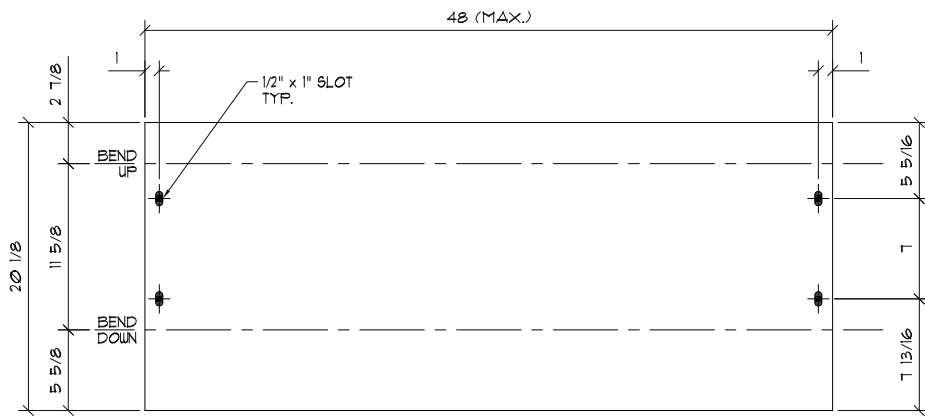
STRINGER CONNECTION  
CONCRETE STRINGER

1d



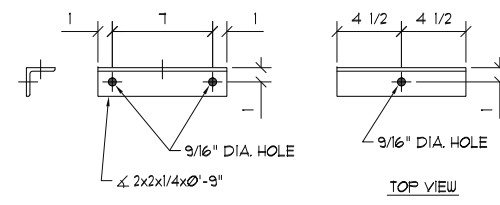
STEEL SUB-TREAD  
SUB-TREADS GREATER THAN 48" MUST BE ENGINEERED.

2



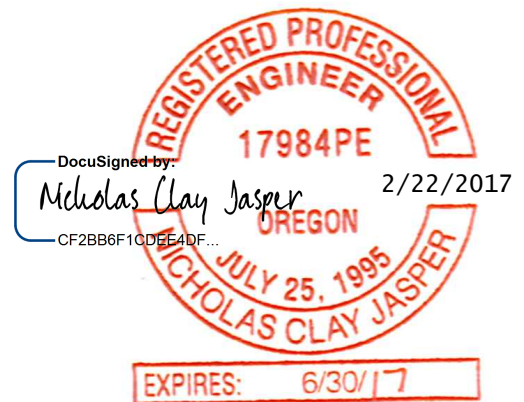
STEEL SUB-TREAD FLAT PATTERN  
14 GA. STEEL SHEET

2a



ANGLE CLIP

3



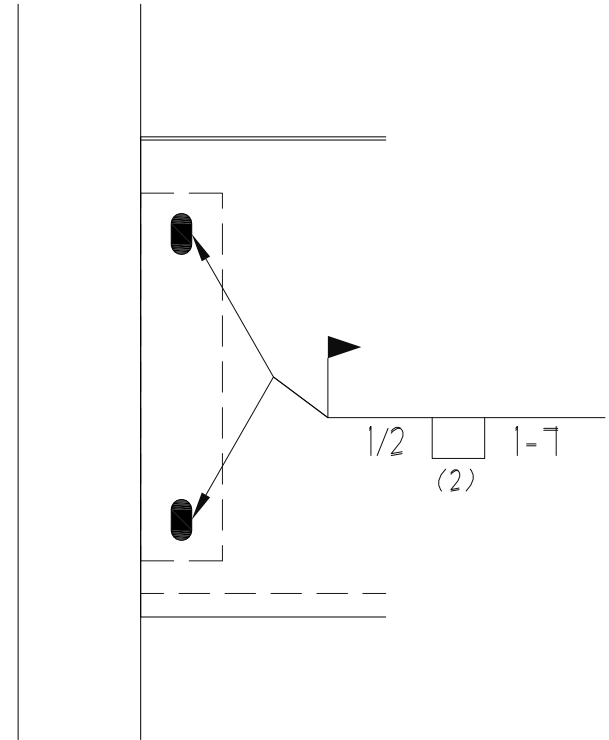
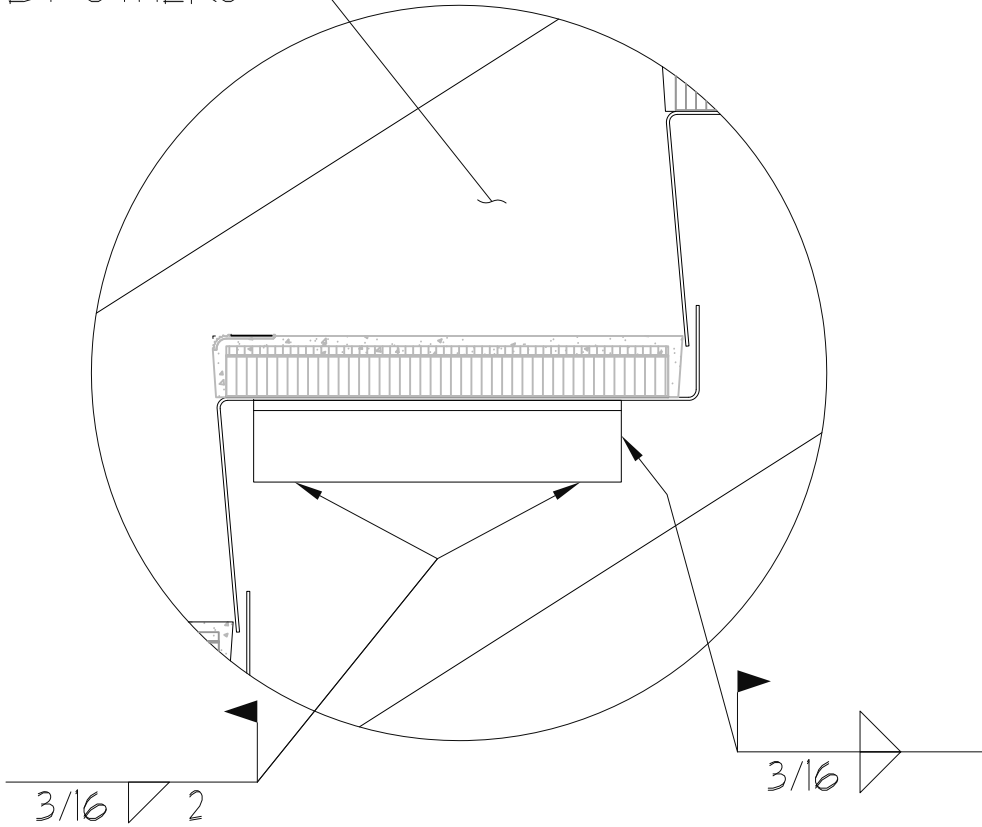
DocuSigned by:  
*Nicholas Clay Jasper* 2/22/2017  
CF2BB6F1CDEE4DF...

**NRT**  
NATIONAL  
REDI-TREAD™

(503) 983-9929  
sales@nationalreditread.com  
www.nationalreditread.com

SCALE: NONE  
STANDARD DETAILS

STRINGER  
BY OTHERS

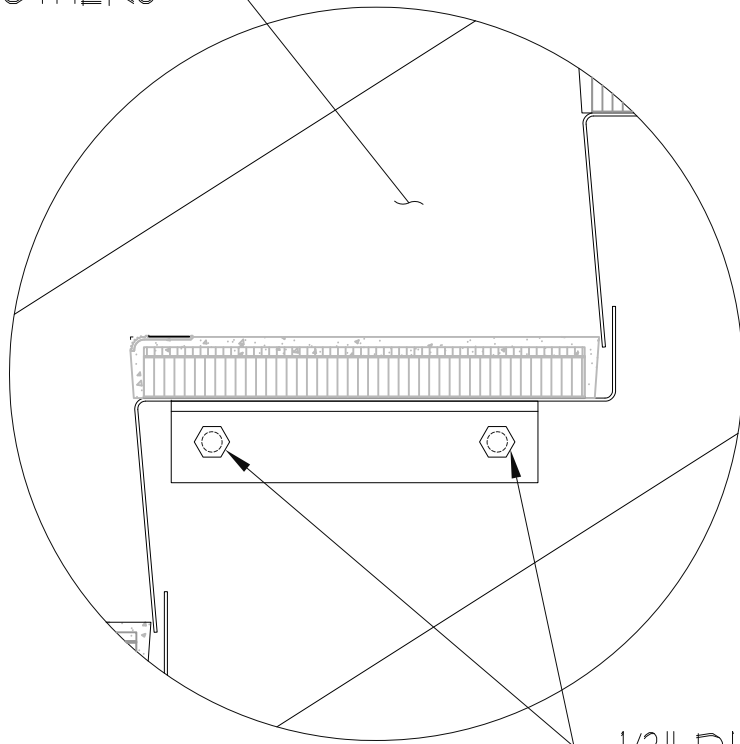


TOP VIEW

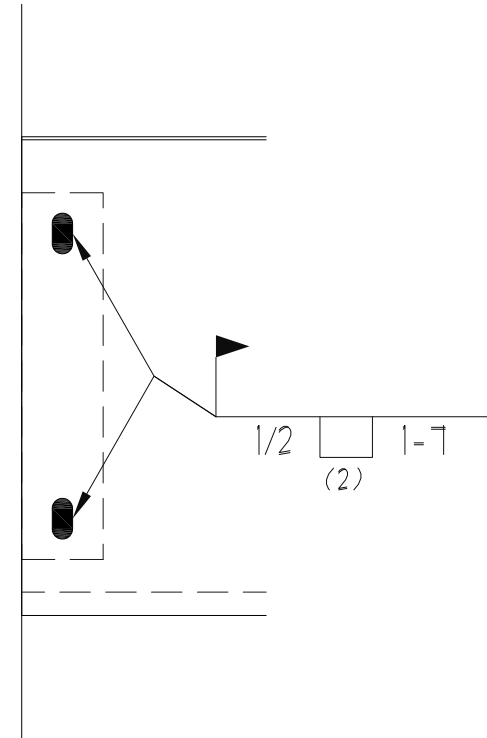
1a

STRINGER CONNECTION  
STEEL STRINGER

STRINGER  
BY OTHERS



1/2" DIA. x 3"  
LAG BOLT  
2" MIN. PENETRATION



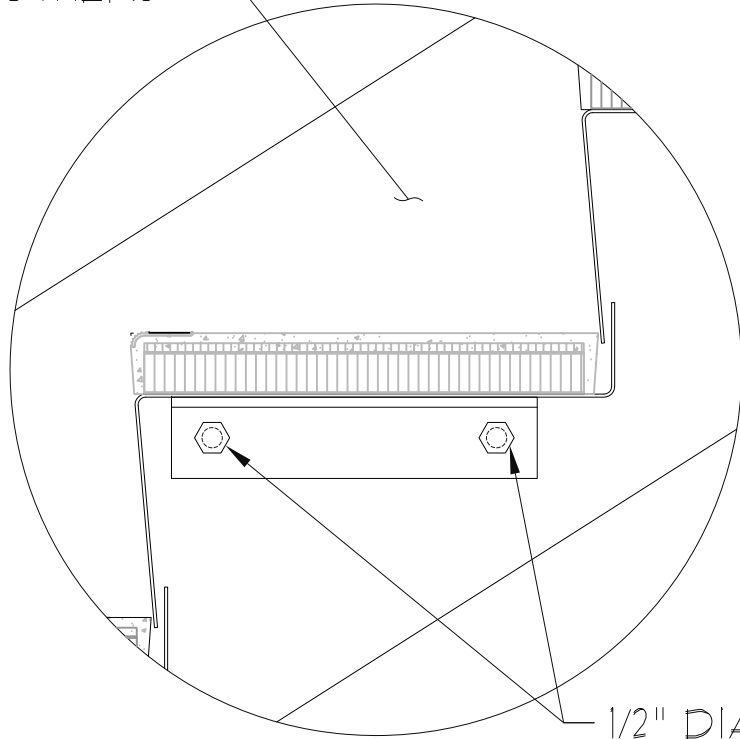
TOP VIEW

1b

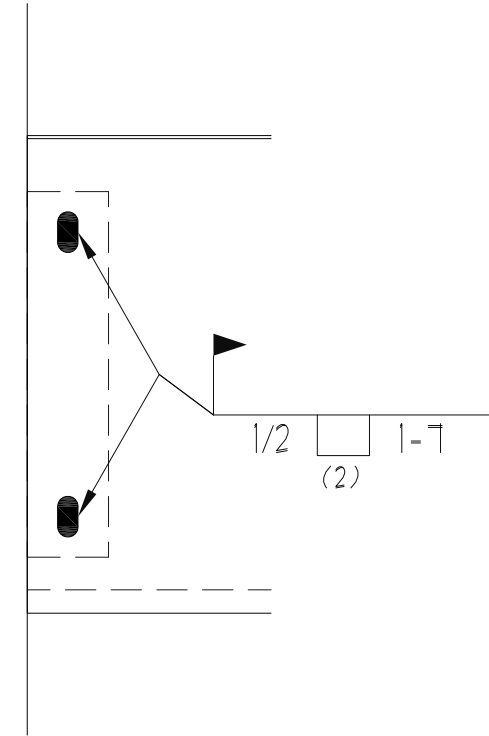
## STRINGER CONNECTION

WOOD STRINGER

STRINGER  
BY OTHERS



1/2" DIA. THRU BOLT

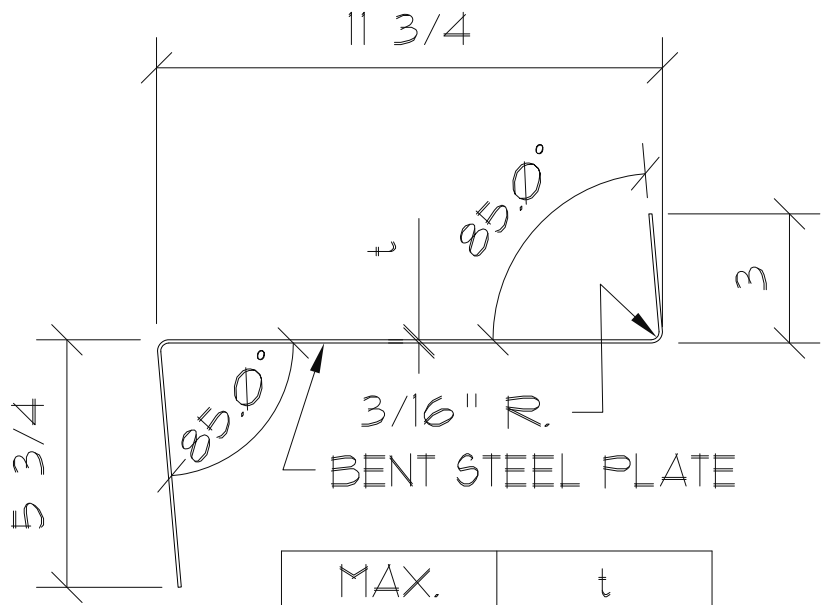


TOP VIEW

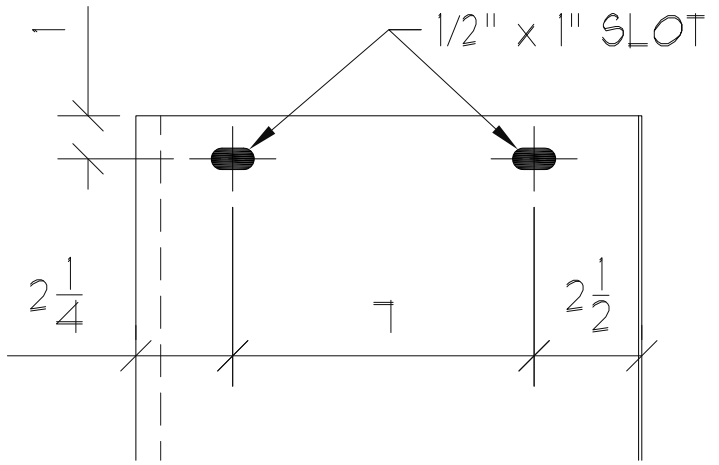
1c

STRINGER CONNECTION

STEEL STRINGER



MAX. SPAN	t (IN.)
4'-0"	0.075



TOP VIEW

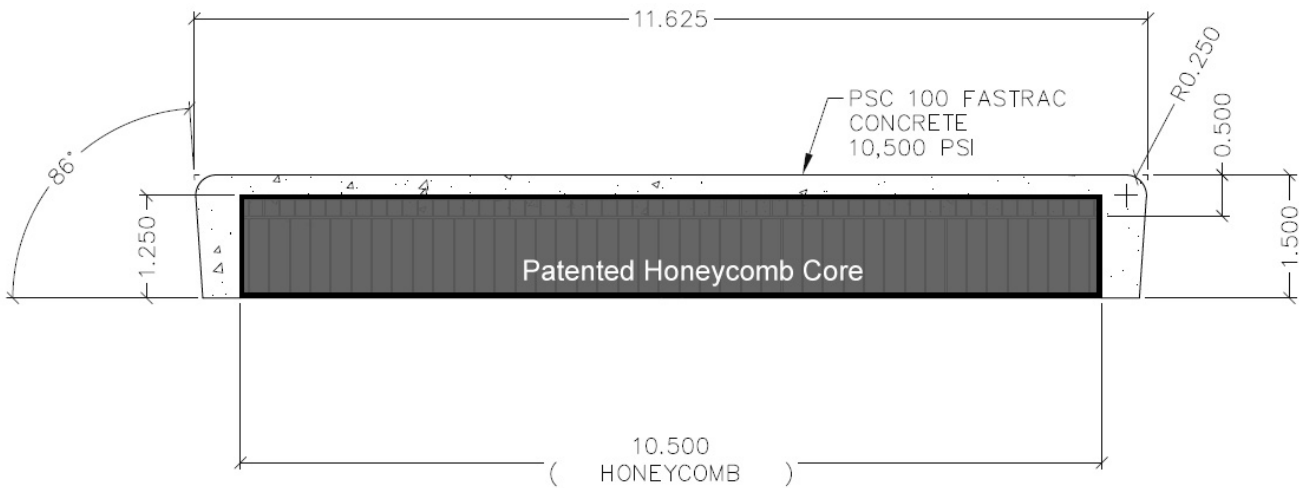
2

## STEEL SUB-TREAD

SUB-TREADS GREATER THAN 48" MUST BE ENGINEERED.

# RHINO TRED DESIGN DETAIL

BASIC PRECAST STAIR TREAD PROFILE DIMENSIONS  
(TREAD WIDTH MADE TO ORDER)



48 INCH WIDE PRECAST TREAD IS APPROX. 34 LBS.